



Architectural hardware

MOTASIM AL DAOUR FACTORY

The Source For Your Project Needs.

Head Office: Tel +966 11 200 6215 / Fax +966 11 200 6219

PO Box: 355671 Riyadh 11383, Riyadh, KSA

Website : www.adf.com.sa

Email : info@adf.com.sa



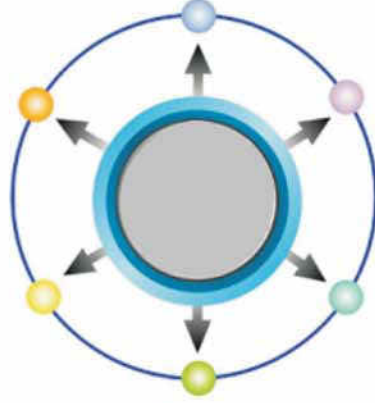
 **BS EN 1906 CE**



Company Introduction

8 years development and production for architectural hardwares

Offer OEM/ODM service on product design & development

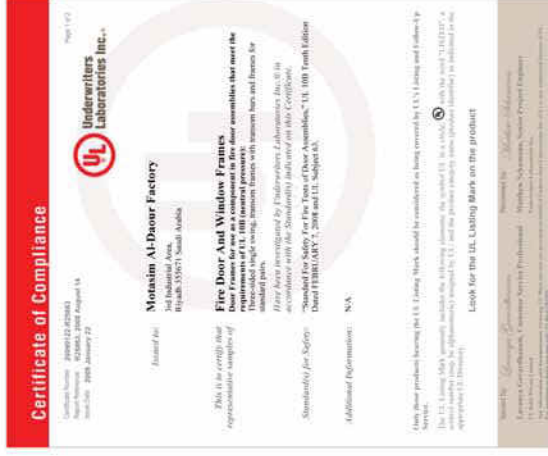


5 years OEM for world famous brands from Germany, United Kingdom, American etc

Technical support for projects design and whole set solution.

Principle - Honest, Sincerity, Responsibility, win-win.

Company Certificates



To ensure the product quality through state-of-the-art inspection facilities, The inspection covers whole range form the incoming materials to the delivered products in Chemistry, mechanical properties, dimensional and necessary metallurgical structure.



Salt spray test machine.



cycle test for mortice according to EN12209.





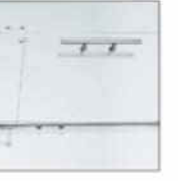


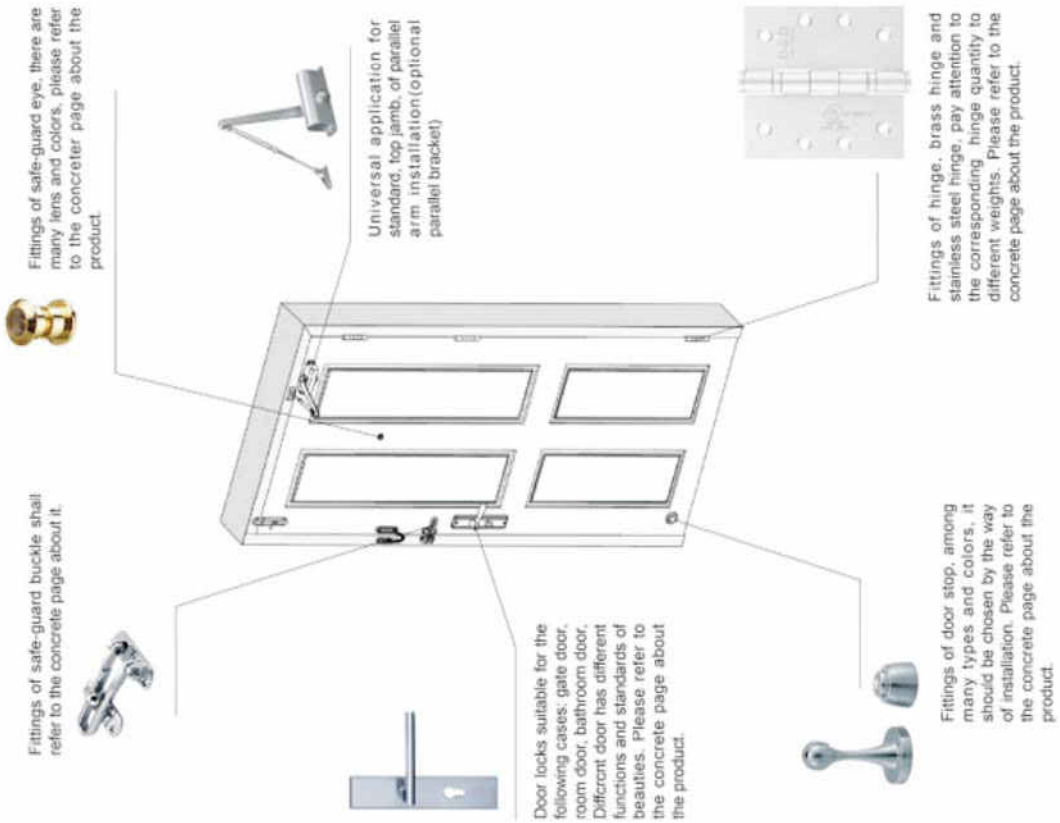
Cycle test for handle according to BS EN1906.



Cycle test for hinge according to UL& ANSI / BAMA156.1 certification.

Contents

| | | |
|---|--|---|
|  | <p>LEVERS & HANDLES SERIES</p> <p>LEVER HANDLE / HOLLOW 02-06</p> <p>AMERICAN STYLE HANDLE 07-12</p> <p>LEVER HANDLE / SOLID 13-18</p> | <p>LEVERS & HANDLES SERIES</p> |
|  | <p>SECURING & CLOSING SERIES</p> <p>MORTISE LOCK 19-22</p> <p>LOCK CYLINDER 23-24</p> <p>PANIC EXIT DEVICE 25-30</p> <p>DOOR CLOSER 31-32</p> | <p>SECURING & CLOSING SERIES</p> |
|  | <p>DOOR HINGE SERIES</p> <p>STAINLESS STEEL DOOR HINGE 33-40</p> <p>CONCEALED HINGE 41-42</p> | <p>DOOR HINGE SERIES</p> |
|  | <p>DECORATION HARDWARE SERIES</p> <p>DOOR STOPPER / GUARD 43-44</p> <p>DOOR BOLT / PROOF STRIKE / VIEWER 45-46</p> <p>DOOR COORDINATOR / SIGH PLATE 47-48</p> | <p>DECORATION HARDWARE SERIES</p> |
|  | <p>GLASS FITTING SERIES</p> <p>PULL HANDLE 49-50</p> <p>GLASS HINGE 51-52</p> <p>PATCH FITTING 53-54</p> | <p>GLASS FITTING SERIES</p> |

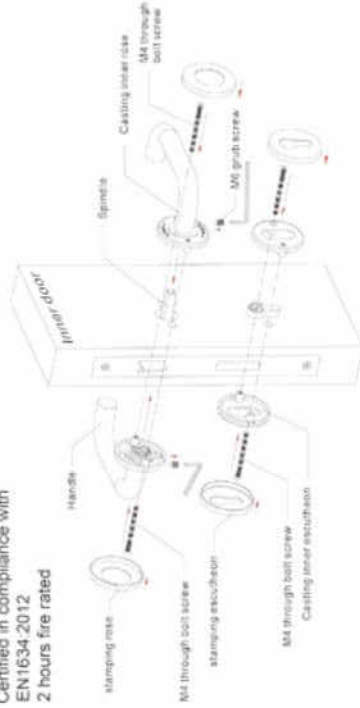


Door Handle Sets Class 4, fire rated 2 hours

Material: Stainless steel
Finish: stainless steel substructure
 Satin, Polished, PVD and AB
Bearing: Lever handle pivot-fitted in rose, with height holding mechanism
Standard: Certified in compliance with EN 1906:2012
Class: 4 7 - 0 1 4 0 B
Standard: Certified in compliance with EN1634:2012
Class: 2 hours fire rated



EN1906 Class 4
EN1634 Fire Rated 2 Hours



| Category of use | Test cycles Durability | Door mass | Fire resistance | Safety for persons | Corrosion resistance | Security | Type of operation |
|-----------------|------------------------|-----------|-----------------|--------------------|----------------------|----------|-------------------|
| 4 | 7 | - | 0 | 1 | 4 | 0 | B |

| Supplied with | | Door thickness(mm) |
|---------------|--|--------------------|
| | 2 Lever handle aperture parts with handle roses 1 Spindle 8 x 8 x 100 mm 1 Pair of CB escutcheons 4 Threaded screws M4 x 60 mm, can be shortened | 38 - 55 |
| | 2 Lever handle aperture parts with handle roses 1 Spindle 8 x 8 x 100 mm 1 Pair of PC escutcheons 4 Threaded screws M4 x 60 mm, can be shortened | 38 - 55 |
| | 2 Lever handle aperture parts with handle roses 1 Spindle 8 x 8 x 100 mm 1 Pair of WC escutcheons with red/green indicator disc 1 Locking pin 8 x 65 mm 4 Threaded screws M4 x 60 mm, can be shortened | 38 - 55 |

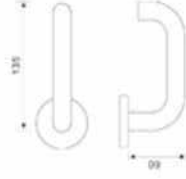
Picture

Dimension

Description



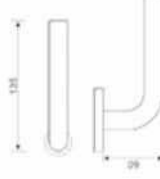
DDTH001



Material: Stainless steel 304 / 316
Applicable: Wooden doors
 Metal doors
Door thickness: 35mm-55mm
Finish: SSS,PSS,PVD, AB, AC



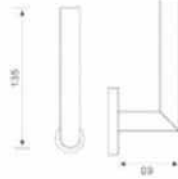
DDTH002



Material: Stainless steel 304 / 316
Applicable: Wooden doors
 Metal doors
Door thickness: 35mm-55mm
Finish: SSS,PSS,PVD, AB, AC



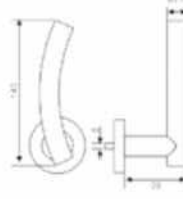
DDTH003



Material: Stainless steel 304 / 316
Applicable: Wooden doors
 Metal doors
Door thickness: 35mm-55mm
Finish: SSS,PSS,PVD, AB, AC



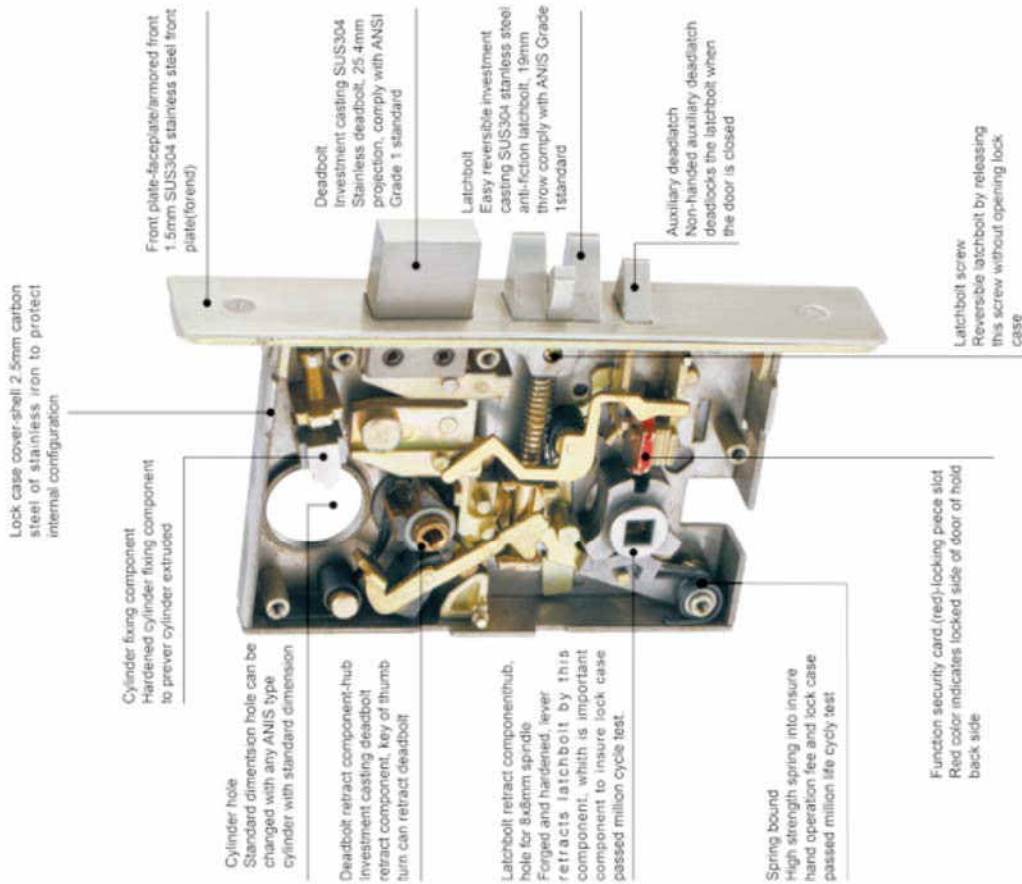
DDTH005



Material: Stainless steel 304 / 316
Applicable: Wooden doors
 Metal doors
Door thickness: 35mm-55mm
Finish: SSS,PSS,PVD, AB, AC

| Picture | Dimension | Description | Picture | Dimension | Description |
|---------|-----------|--|---------|-----------|--|
| | | Material: Stainless steel 304 / 316 Applicable: Wooden doors Metal doors Door thickness: 35mm-55mm Finish: SSS, PSS, PVD, AB, AC | | | Material: Stainless steel 304 / 316 Applicable: Wooden doors Metal doors Door thickness: 35mm-55mm Finish: SSS, PSS, PVD, AB, AC |
| | | Material: Stainless steel 304 / 316 Applicable: Wooden doors Metal doors Door thickness: 35mm-55mm Finish: SSS, PSS, PVD, AB, AC | | | Material: Stainless steel 304 / 316 Applicable: Wooden doors Metal doors Door thickness: 35mm-55mm Finish: SSS, PSS, PVD, AB, AC |
| | | Material: Stainless steel 304 / 316 Applicable: Wooden doors Metal doors Door thickness: 35mm-55mm Finish: SSS, PSS, PVD, AB, AC | | | Material: Stainless steel 304 / 316 Applicable: Wooden doors Metal doors Door thickness: 35mm-55mm Finish: SSS, PSS, PVD, AB, AC |
| | | Material: Stainless steel 304 / 316 Applicable: Wooden doors Metal doors Door thickness: 35mm-55mm Finish: SSS, PSS, PVD, AB, AC | | | Material: Stainless steel 304 / 316 Applicable: Wooden doors Metal doors Door thickness: 35mm-55mm Finish: SSS, PSS, PVD, AB, AC |

Mortise Lock Case Configuration

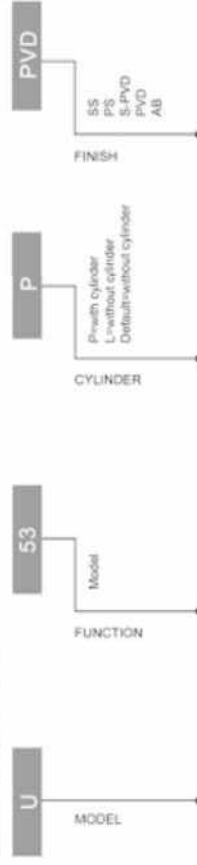


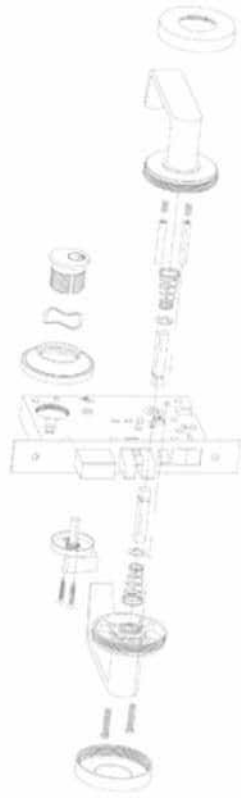
Architectural hardware

Diagram Ext.

| Function | Model | ANSI | Code Operation |
|-----------|-------|---------|--|
| PASSAGE | U10 | F01 | Anti-keyed function. Turning knob or lever retracts both from either side. |
| PRIVACY | U40 | F02/F19 | Anti-keyed function. Latch retracted by knob/lever from either side. Deadbolt extended or retracted by knob turnback. Cranking deadbolt locks outside lever. Turning knob from lever inside outside lock and deadbolt and outside outside lever. Can be opened in emergency from the inside by a special emergency (breakdown) code key. |
| OFFICE | U50 | F04 | Latch retracted by knob/lever either side except when locked by key or flip works, often locked with attached by key. Flays locked and unlocked by flip works. |
| ENTRY | U53 | F20 | Latch retracted by knob/lever from either side except when outside knob/lever is locked by flip works or flipworks. Deadbolt retracted or extended by key from outside or inside. Auxiliary deadbolt retracted or extended by key from outside or inside. Auxiliary deadbolt retracts both when door is closed. Inside knob/lever retracts both deadbolt simultaneously. |
| CLASSROOM | U70 | F05 | Latch retracted by knob/lever from either side except when outside knob/lever is locked by key. Inside knob/lever always unlocked by flip signs. |
| STOREROOM | U80 | F07 | Latch retracted by key inside or knob/lever inside. Outside knob/lever always locked. Auxiliary deadbolt retracts both when door is closed. Inside knob/lever always unlocked by flip signs. |
| DORMITORY | U56 | F13 | Latch lock by inside except when outside knob is locked by projecting dead bolt. Key outside retracts deadbolt and outside outside knob. Rotating inside knob retracts both bolts. |
| RESTROOM | U80 | F09 | Deadlocking lock but by inside except when outside knob is locked by key inside, then flipkey outside. |
| STORE | U86 | F14 | Latch lock by inside. Dead lock by key from either side. |
| HOTEL | UBS | F15 | Deadlocking lock but by inside knob or key outside. Outside knob right. Dead lock by key inside or emergency key outside. Projecting dead bolt retracts emergency indicator and shuts out all key except emergency. Rotating inside knob retracts both bolts. |
| ALL DUMMY | U172 | | Operate as pins only no operation. |

ARTICLE NUMBER





Specification of Trim

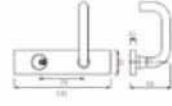
Material: SUS 304 Stainless steel,
 Finish: SS-Satin, stainless steel, or up to customer requirement
 Door thickness: 38mm
 Door handing: right hand and right hand reverse bevel
 Cylinder: ANSI type cylinder
 Key: 8 pins traditional keyway, 3 pieces nickel silver brass key supplied as standard
 Optional keyway: Single row dimple keyway Double rows dimple keyway, which passed GA/T73-94B, certified the highest security level by Chinese police.

Trim Design

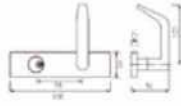
Description

Dimension

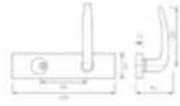
| | | |
|---|---|--|
|  <p>DDAH001</p> |  | <p>Heavy duty solid lever handle Lever SUS304 / 316 stainless steel Escutcheon SUS304 / 316 stainless steel Thread fixing</p> |
|  <p>DDAH002</p> |  | <p>Heavy duty solid lever handle Lever SUS304 / 316 stainless steel Escutcheon SUS304 / 316 stainless steel Thread fixing</p> |
|  <p>DDAH003</p> |  | <p>Heavy duty solid lever handle Lever SUS304 / 316 stainless steel Escutcheon SUS304 / 316 stainless steel Thread fixing</p> |
|  <p>DDAH004</p> |  | <p>Heavy duty solid lever handle Lever SUS304 / 316 stainless steel Escutcheon SUS304 / 316 stainless steel Thread fixing</p> |



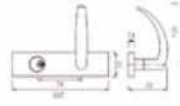
DDAH001-P
 Heavy duty solid lever handle
 Lever SUS304 / 316 stainless steel
 Escutcheon SUS304 / 316 stainless steel
 Escutcheon thickness: 22mm



DDAH002-P
 Heavy duty solid lever handle
 Lever SUS304 / 316 stainless steel
 Escutcheon SUS304 / 316 stainless steel
 Escutcheon thickness: 22mm



DDAH003-P
 Heavy duty solid lever handle
 Lever SUS304 / 316 stainless steel
 Escutcheon SUS304 / 316 stainless steel
 Escutcheon thickness: 22mm



DDAH004-P
 Heavy duty solid lever handle
 Lever SUS304 / 316 stainless steel
 Escutcheon SUS304 / 316 stainless steel
 Escutcheon thickness: 22mm

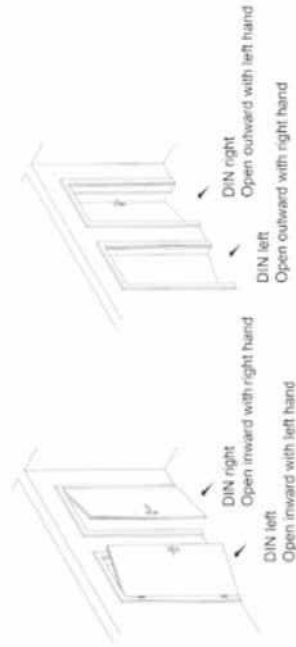
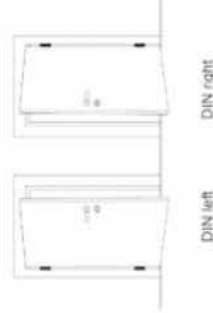
Standard for opening directions

DIN

Specifications for confirming the door kind by opening direction according to the Germany standard DIN 107.
When the door is closed, people stand on the side which hinge can be seen.

Hinge on the left, it is called DIN left.

Hinge on eht right, it is called DIN right.



Standard for opening directions

ANSI

Door opening direction under ANSI standard as follows:

When the door is closed, people stand untdoor.

Hinge on the left, it is called DIN left.

Hinge on eht right, it is called DIN right.



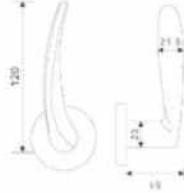
Picture

Dimension

Description



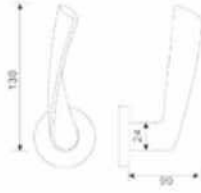
DDSH001



Material: Stainless steel 304 / 316
Applicable: Wooden doors
Metal doors
Door thickness: 35mm-55mm
Finish: SSS,PSS,PVD, AB, AC



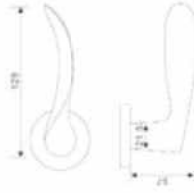
DDSH002



Material: Stainless steel 304 / 316
Applicable: Wooden doors
Metal doors
Door thickness: 35mm-55mm
Finish: SSS,PSS,PVD, AB, AC



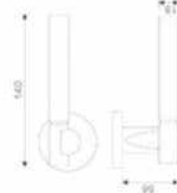
DDSH006



Material: Stainless steel 304 / 316
Applicable: Wooden doors
Metal doors
Door thickness: 35mm-55mm
Finish: SSS,PSS,PVD, AB, AC



DDSH018



Material: Stainless steel 304 / 316
Applicable: Wooden doors
Metal doors
Door thickness: 35mm-55mm
Finish: SSS,PSS,PVD, AB, AC

| Picture | Dimension | Description |
|-----------------------|-----------|---|
| <p>DDSH022</p> | | <p>Material: Stainless steel 304 / 316 Applicable: Wooden doors Metal doors Door thickness: 35mm-55mm Finish: SSS,PSS,PVD, AB, AC</p> |
| <p>DDSH023</p> | | <p>Material: Stainless steel 304 / 316 Applicable: Wooden doors Metal doors Door thickness: 35mm-55mm Finish: SSS,PSS,PVD, AB, AC</p> |
| <p>DDSH024</p> | | <p>Material: Stainless steel 304 / 316 Applicable: Wooden doors Metal doors Door thickness: 35mm-55mm Finish: SSS,PSS,PVD, AB, AC</p> |
| <p>DDSH025</p> | | <p>Material: Stainless steel 304 / 316 Applicable: Wooden doors Metal doors Door thickness: 35mm-55mm Finish: SSS,PSS,PVD, AB, AC</p> |
| <p>DDSH029</p> | | <p>Material: Stainless steel 304 / 316 Applicable: Wooden doors Metal doors Door thickness: 35mm-55mm Finish: SSS,PSS,PVD, AB, AC</p> |
| <p>DDSH033</p> | | <p>Material: Stainless steel 304 / 316 Applicable: Wooden doors Metal doors Door thickness: 35mm-55mm Finish: SSS,PSS,PVD, AB, AC</p> |
| <p>DDSH034</p> | | <p>Material: Stainless steel 304 / 316 Applicable: Wooden doors Metal doors Door thickness: 35mm-55mm Finish: SSS,PSS,PVD, AB, AC</p> |
| <p>DDSH035</p> | | <p>Material: Stainless steel 304 / 316 Applicable: Wooden doors Metal doors Door thickness: 35mm-55mm Finish: SSS,PSS,PVD, AB, AC</p> |

DIN standard lock

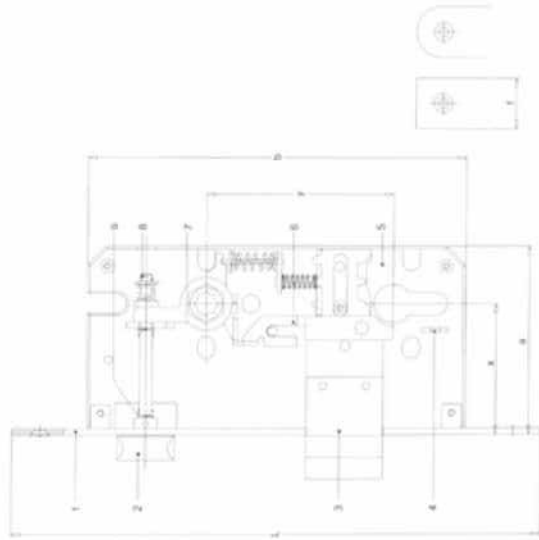
According to the German DIN 18251 standard, the lockcase is divided into four levels:

mortise locks are according to DIN 18250, 18251, suitable for commercial, industrial and prestigious residential projects and Aves Z series mortise locks provide different functions to meet various applications.

Function:

- Entrance: turning inside handle and key from outside unlock latch & dead bolt, either Handle operates latch bolt, for entrance doors;
- Privacy: turning inside handle unlock latch & dead bolt, either handle operates latch bolt. When inside handle lock dead bolt, the outside handle cannot unlock, a coin inserted and turned in emergency slot will unlock Door from outside, for bathroom / lavatory door etc;
- Passage: either handle operates latch bolt at all times, for doors that do not require Locking, suitable for use on hall way, kitchen etc;
- Storeroom: dead bolt operated by inside handle and key from outside, for use on Storeroom, hotel etc.;

COMPONENTS AND DIMENSIONS



Units: mm



FETURES

According to EN12209-Grade 3, DIN18251-1

For double deadbolt mortise lock

Applicable for kinds of swing gate, ex...wooden of steel doors etc.

Prepared for standard Euro profile cylinder

Latch bolt has reversible ability

Dead bolt-2 turns

TECHNICAL DATA

| | |
|-----------------|--------------------------|
| Follower | 8mm |
| Distance | 72mm 85mm |
| Backset | 40mm 45mm 50mm 55mm 60mm |

FOREND

| | | |
|------------------|---------------------------|-------------|
| Type | Round Head | Square Head |
| Thickness | 3mm | |
| Width | 22mm 23mm 24mm | |
| Finishes | SSS PSS PVD & PB AB SB AC | |

MATERIAL

| | |
|-------------------|---------------------|
| Latch bolt | stainless steel 304 |
| Deadbolt | stainless steel 304 |
| Forend | stainless steel 304 |

FUNCTION

| | | | | |
|----------------|----------------|----------------|----------------|----------------|
| | | | | |
| DDML016 | DDML017 | DDML018 | DDML019 | DDML020 |
| ENTRANCE | ROLLER | STOREROOM | PASSAGE | PRIVACY |



FETURES

According to EN12209-Grade 3, DIN18251-1
 For double deadbolt mortise lock
 Applicable for kinds of swing gate, ex. wooden of steel doors etc.
 Prepared for standard Euro profile cylinder
 Latch bolt has reversible ability
 Dead bolt-1 turns

TECHNICAL DATA

| | |
|-----------------|---------------------|
| Follower | 8mm |
| Distance | 85mm |
| Backset | 20mm 25mm 30mm 35mm |

FOREND

| | | |
|------------------|---------------------------|-------------|
| Type | Round Head | Square Head |
| Thickness | 3mm | |
| Width | 22mm 23mm 24mm | |
| Finishes | SSS PSS PVD & PB AB SB AC | |

MATERIAL

| | |
|-------------------|--------------------|
| Latch bolt | brass / zinc alloy |
| Deadbolt | brass / zinc alloy |
| Forend | stainless steel |

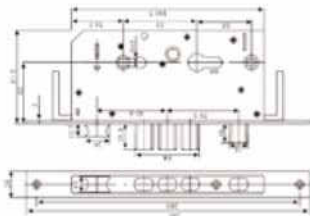
FUNCTION

| | | | | |
|----------------|----------------|----------------|----------------|----------------|
| | | | | |
| DDML021 | DDML022 | DDML023 | DDML024 | DDML025 |
| ENTRANCE | ROLLER | STOREROOM | PASSAGE | PRIVACY |



DDML026

COMPONENTS AND DIMENSIONS



FETURES

For double deadbolt mortise lock
 Applicable for kinds of swing gate, ex. wooden of steel doors etc.
 Prepared for standard Euro profile cylinder , Latch bolt has reversible ability, Dead bolt - 2 turns

TECHNICAL DATA

| | |
|-----------------|------|
| Follower | 8mm |
| Distance | 68mm |
| Backset | 60mm |

FOREND

| | |
|------------------|---------------------------|
| Type | Square Head |
| Thickness | 240 x 30 x 2.5mm |
| Finishes | SSS PSS PVD & PB AB SB AC |

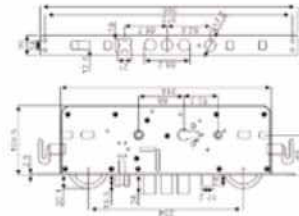
MATERIAL

| | |
|---------------------|-----------------|
| Latch bolt | stainless steel |
| Primary bolt | stainless steel |
| Forend | stainless steel |



DDML027

COMPONENTS AND DIMENSIONS



FETURES

For double deadbolt mortise lock
 Applicable for kinds of swing gate, ex. wooden of steel doors etc.
 Prepared for standard Euro profile cylinder , Latch bolt has reversible ability, Dead bolt - 2 turns

TECHNICAL DATA

| | |
|-----------------|------|
| Follower | 8mm |
| Distance | 68mm |
| Backset | 60mm |

FOREND

| | |
|------------------|---------------------------|
| Type | Square Head |
| Thickness | 388 x 30 x 2.5mm |
| Finishes | SSS PSS PVD & PB AB SB AC |

MATERIAL

| | |
|---------------------|-----------------|
| Latch bolt | stainless steel |
| Primary bolt | stainless steel |
| Forend | stainless steel |

LOCK CYLINDER

Function & Specification



Half Cylinder



Double Entrance Function



Privacy Function Cylinder



Half Cylinder for kombi



Lengthen Cylinder

Cut Key



DDKY001

Computer Key



DDKY002

Double-Side Key



DDKY003

Internal-Cut Key



DDKY004

Engineering lock sets



The key can open all the doors.

Picture



DDLC003



DDLC004

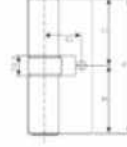


DDLC007

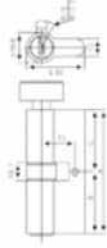


DDLC010

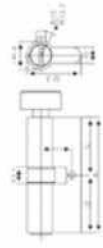
Dimension



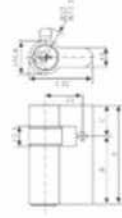
Double Entrance Function
Material: Brass
Keys: 3 Brass Keys
Length: 60mm, 70mm, 80mm
Finish: SN, PB, AB, AC



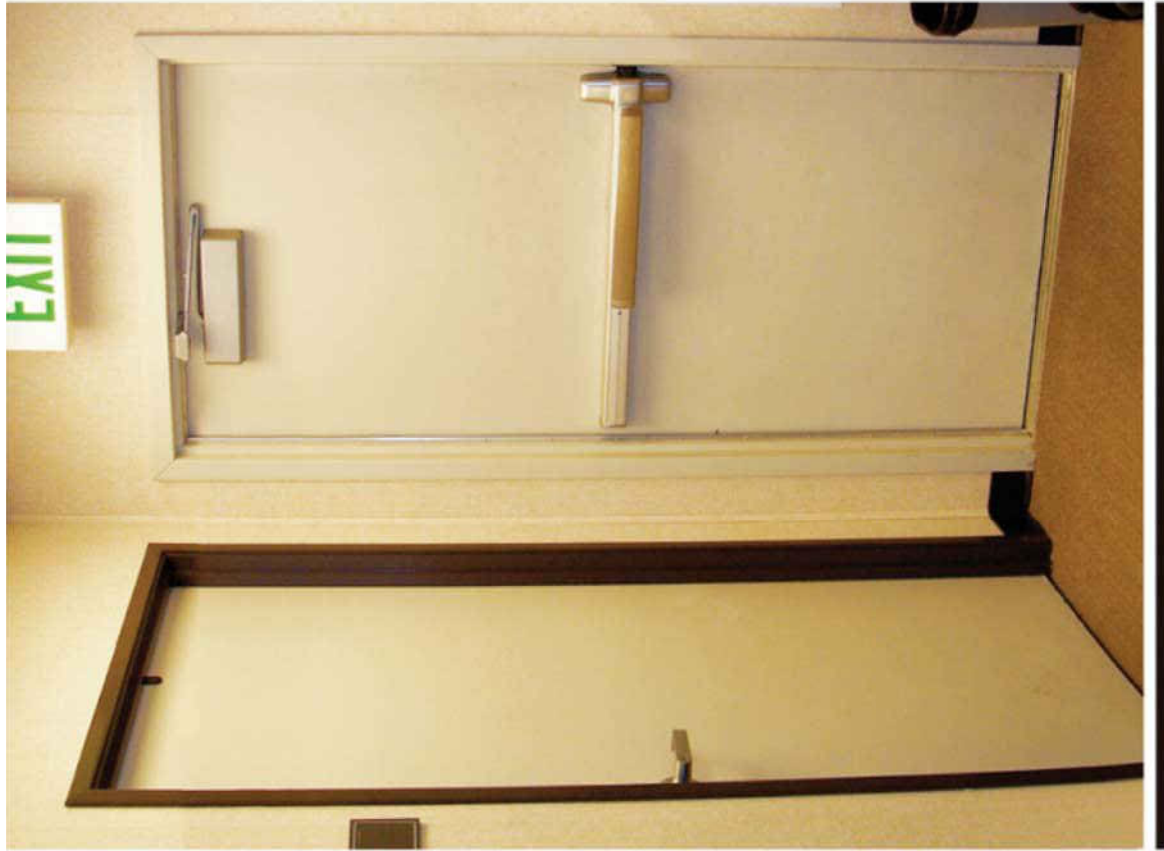
Single Entrance Function
Material: Brass
Keys: 3 Brass Keys
Length: 60mm, 70mm, 80mm
Finish: SN, PB, AB, AC



Privacy Function
Material: Brass
No Keys
Length: 60mm, 70mm, 80mm
Finish: SN, PB, AB, AC

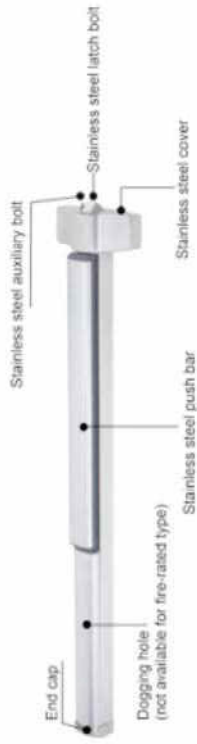


Half Cylinder
Material: Brass
Keys: 3 Brass Keys
Length: 45mm, 55mm
Finish: SN, PB, AB, AC

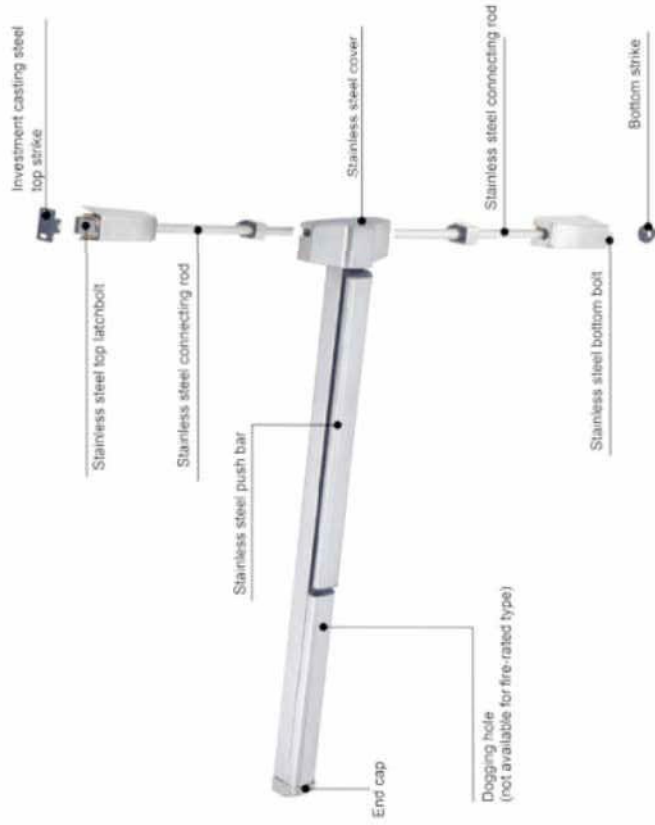


Configuration

Rim exit device: DDPD001



Surface vertical rod exit device: DDPD002



Touch bar panic hardware single-leaf Fire door solutions

Fire door can be used as part of a passive fire protection system to enable safe egress from a building. In supermarkets, hotels, restaurants, sauna houses and so on, people will be not clear enough for the building environment. So when the confusion occurs, Fire door can provide escape for people who are not familiar with the building. Touch bar panic hardware is the best choice. Fire door can be installed with the door closer. It can automatically close when firing so that to reduce the spread of fire or smoke between compartments.

Touch bar panic hardware double-leaf Fire door solutions

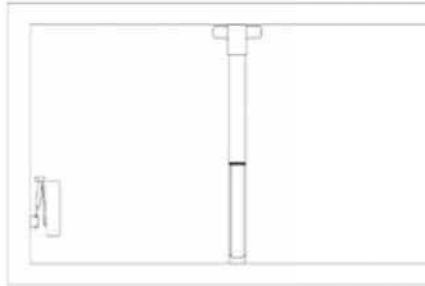
Double-leaf doors can installed with door selectors to ensure the correct closing sequence of both doors in emergency to reduce the possibility of danger.

Lever handle single-leaf Fire door solutions

If people know the escape ways very much and know how to use the fire doors, you can choose the lever handle fire door solutions. Fire door can be installed with the door closer. It can automatically close when firing so that to reduce the spread of fire or smoke between compartments.

Lever handle double-leaf Fire door solutions

Fire door can be installed with the door closer, it can automatically close when firing so that to reduce the spread of fire or smoke between compartments.



Picture

Dimension

Description



DDPD003

Cover: SUS304 Stainless steel
Latch Bolt: SUS304 Stainless steel
Applicable: Metal doors
Wooden doors
Suitable for double doors with mullion
Suitable for single swing door



DDPD004

Cover: SUS304 Stainless steel
Latch Bolt: SUS304 Stainless steel
Applicable: Metal doors
Wooden doors
Suitable for double doors with mullion
Suitable for single swing door



DDPD005

Cover: SUS304 Stainless steel
Latch Bolt: SUS304 Stainless steel
Applicable: Metal doors
Wooden doors
Suitable for double doors with mullion
Suitable for single swing door



DDPD006

Cover: SUS304 Stainless steel
Latch Bolt: SUS304 Stainless steel
Applicable: Metal doors
Wooden doors
Suitable for double doors with mullion
Suitable for single swing door

| Picture | Dimension | Description |
|---------|----------------|---|
| | | <p>Materials: Stainless Steel 304 For door leaf thickness up to 50mm Suitable for single swing door and double doors Door Width: <math>\leq 1320\text{mm}</math> Door Height: <math>\leq 2133\text{mm}</math></p> |
| | DDPD007 | |
| | | <p>Materials: Stainless Steel 304 For door leaf thickness up to 50mm Suitable for single swing door and double doors Door Width: <math>\leq 1320\text{mm}</math> Door Height: <math>\leq 2133\text{mm}</math></p> |
| | DDPD008 | |
| | | <p>Materials: Stainless Steel 304 For door leaf thickness up to 50mm Suitable for single swing door and double doors Door Width: <math>\leq 1320\text{mm}</math> Door Height: <math>\leq 2133\text{mm}</math></p> |
| | DDPD009 | |
| | | <p>Materials: Stainless Steel 304 For door leaf thickness up to 50mm Suitable for single swing door and double doors Door Width: <math>\leq 1320\text{mm}</math> Door Height: <math>\leq 2133\text{mm}</math></p> |
| | DDPD010 | |
| | | <p>Material: Night latch plate Applicable: Stainless steel 304 Finish: SSS,PSS,PVD, AB, AC</p> |
| | DDPD011 | |
| | | <p>Lever Firm Stainless steel 304, zinc alloy Finish: SSS,PSS,PVD, AB Door thickness: 45mm-50mm Standard: EN1634 Fire rated</p> |
| | DDPD012 | |
| | | <p>Escutcheon knob trim Stainless steel 304 Finish: SSS,PSS,PVD, AB Door thickness: 45mm-50mm Standard: EN1634 Fire rated</p> |
| | DDPD013 | |
| | | <p>Escutcheon lever trim Stainless steel 304 Finish: SSS,PSS,PVD, AB Door thickness: 45mm-50mm Standard: EN1634 Fire rated</p> |
| | DDPD014 | |



The Function Instruction

Applicable to single door with the maximum door width of 1250mm.
 Precise sealed, preventing oil leakage, preventing oil leakage.
 High quality die-casting aluminum alloy, protected with two-layer bright paint.
 Two hydraulic press valves controlling two stage doors closing speed automatically.
 180 degrees fully hydraulic control.
 Two stage speed adjustment, 60-160 degree locating function is available.
 Either to be installed on doors with normal method of to be installed on door frame.
 Standard color: golden, silver, copper of their kinds of color on clients' requirement.

Technological Data

| | |
|--------------------------|------------------------------|
| Closing force | 22-56N.m |
| Maximum door width | ≤1250mm |
| Available bearing weight | 60-150kg |
| Speed control | Two adjustable speed |
| Maximum opening angle | 180° |
| Orienting function | without location is optional |
| Useful time | > 500,000 times |
| Net weight | 3kg |
| Accord with national | QB/T2696-2005 standard |

Picture Dimension Description



Closing force: 14N.m
 Maximum door width: ≤950mm
 Available bearing weight: 40-65kg
 Speed control: Two adjustable speed
 Maximum opening angle: 180°
 Orienting function: Location of without location is optional
 Useful time: > 500,000 times
 Net weight: 1.8kg
 According to national QB/T2696-2005 standard



Closing force: 18N.m
 Maximum door width: ≤950mm
 Available bearing weight: 40-65kg
 Speed control: Two adjustable speed
 Maximum opening angle: 180°
 Orienting function: Location of without location is optional
 Useful time: > 500,000 times
 Net weight: 1.8kg
 According to national QB/T2696-2005 standard



Closing force: 16N.m
 Maximum door width: ≤950mm
 Available bearing weight: 40-65kg
 Speed control: Two adjustable speed
 Maximum opening angle: 180°
 Orienting function: Location of without location is optional
 Useful time: > 500,000 times
 Net weight: 1.7kg
 According to national QB/T2696-2005 standard



Closing force: 14N.m
 Maximum door width: ≤950mm
 Available bearing weight: 40-65kg
 Speed control: Two adjustable speed
 Maximum opening angle: 180°
 Orienting function: Location of without location is optional
 Useful time: > 500,000 times
 Net weight: 1.9kg
 According to national QB/T2696-2005 standard





Architectural hardware

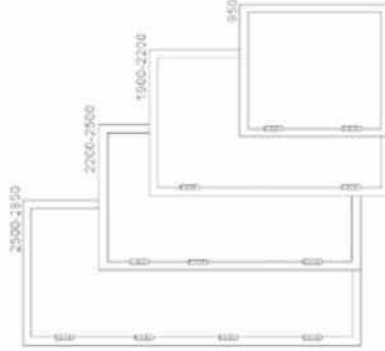
Hinge Function

Hinge is used to connect door leaf and door frame and make the door can hinge axis as the center to the purpose of opening or closing the door.

Hinge Function

- Flat hinge for inside door
- Conceal hinge for inside door
- Self-closing spring hinge for inside door
- Two-way spring for inside door
- Welded hinge for windows and doors

Door size and the matching hinge QTY



Stainless steel hinge load table

| Hinge Thickness | Hinge Capacity | Door Height |
|-----------------|----------------|---------------|
| T= 2.0mm | 20 - 30kg | 950mm以下 |
| T= 2.5mm | 30 - 46kg | 950 - 1900mm |
| T= 3.0mm | 46 - 66kg | 1900 - 2200mm |
| T= 3.5mm | 56 - 86kg | 2200 - 2500mm |
| T= 4.0mm | 88 - 132kg | 2500 - 2850mm |

Recommendation: 3pieces per door.

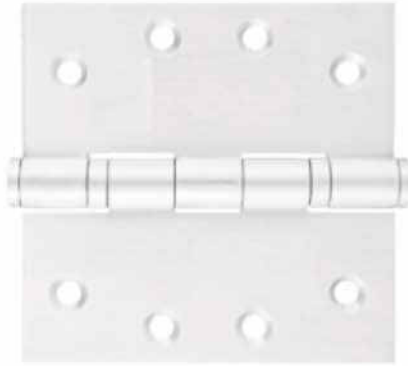
Hinge Selection

Choose hinge according to the following.
 Properly increase the door weight for access instead of the door thickness

- Door actual weight:
- Suitable for civil buildings of public buildings
- Door material
- Door opening frequency
- Door of the Size (whether ultra-high or ultra-wide)
- Open direction (whether open outwards)
- Door hinge installation location of arrangement
- Closing door antivibration of door closer mounting
- In public buildings, it needs to increase a certain pressure margin.

STAINLESS STEEL DOOR HINGE

Full Mortise Hinge (Fire Rated) Two & Four Ball Bearing



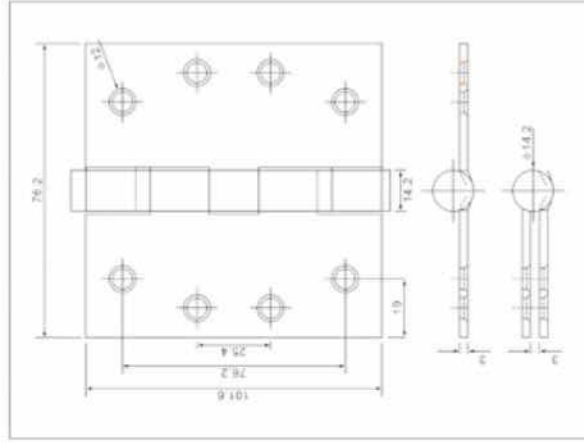
DDSS001-FR

Specification advice:

- Hinges manufactured accordance with ANSI/BHMA A156.1
- All hinges with five knuckle two ball bearing with non-rising pins with button tip and plug
- All hinges have template screw hole location for use on either wood or hollow metal doors and frames
- Pins in non-ferrous hinges are stainless steel.
- Hole in bottom tip for easy pin removal.
- Dimension & tolerances conform to ANSI A156.7
- Full Mortise, Square Corner, Standard weight template hinge.
- Screw packages-All Machine Screws(AMS)-Phillips (#3)flat-head and half wood screws-(1/2WS)-Phillips(#3)flat-head. Approved for use on all types of fire doors up to 3 hours to maintain the integrity of fire rated openings and walls. Refer to NFPA80.

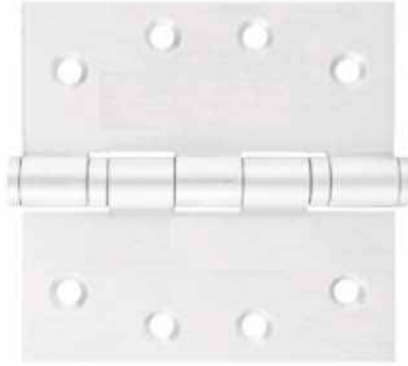
Benefits:

- **High performance** Ball bearing butt hinges are suitable for all types of internal and external applications. When used on fire doors, intumescent pack need to be applied for higher fire rating on wooden doors.
- **Fire Resistant:** Included in as successful fire test to BS EN Part 1:2000 and BS EN 1363-1 Part 1:1999. Assessed for use on 30 mins., 60 mins. & 90 mins & 3 hours fire doors. Door Opening angle 180°.



| Data and Features | DDSS001-FR | | | |
|---------------------------------|------------|---------|-------|---------|
| | 4 x 3 | 4 x 3.5 | 4 x 4 | 4.5 x 4 |
| Size in inch (Height x Width) | 4 x 3 | 4 x 3.5 | 4 x 4 | 4.5 x 4 |
| Thickness in mm | 3.0 | 3.0 | 3.0 | 3.0 |
| Standard Doors | • | • | • | • |
| Fire and smoke check doors | • | • | • | • |
| Non-handed | • | • | • | • |
| 5 Knuckles | • | • | • | • |
| Ball Bearing (2BB or 4BB) | • | • | • | • |
| Butt hinge tested to BS EN 1935 | • | • | • | • |
| CE mark for building products | • | • | • | • |
| Butt hinge tested to Certifire | • | • | • | • |
| Optional Pin Type | • | • | • | • |
| Non-removable pin (NRP) | • | • | • | • |
| Removable pin (RP) | • | • | • | • |
| Security Stud (SS) | • | • | • | • |

Full Mortise Hinge (Fire Rated) Two & Four Ball Bearing



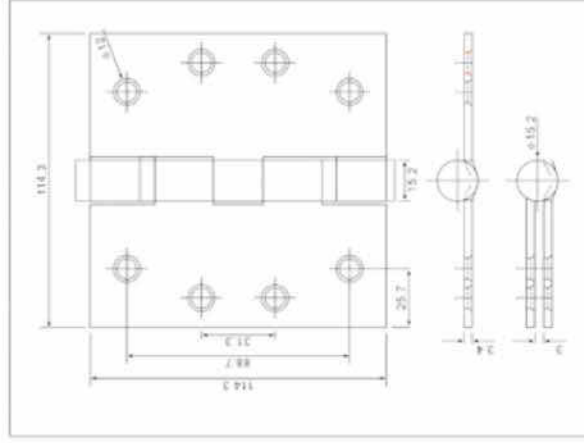
DDSS002-FR

Specification advice:

- Hinges manufactured accordance with ANSI/BHMA A156.1
- All hinges with five knuckle two ball bearing with non-rising pins with button tip and plug
- All hinges have template screw hole location for use on either wood or hollow metal doors and frames
- Pins in non-ferrous hinges are stainless steel.
- Hole in bottom tip for easy pin removal.
- Dimension & tolerances conform to ANSI A156.7
- Full Mortise, Square Corner, Standard weight template hinge.
- Screw packages-All Machine Screws(AMS)-Phillips (#3)flat-head and half wood screws-(1/2WS)-Phillips(#3)flat-head. Approved for use on all types of fire doors up to 3 hours to maintain the integrity of fire rated openings and walls. Refer to NFPA80.

Benefits:

- **High performance** Ball bearing butt hinges are suitable for all types of internal and external applications. When used on fire doors, intumescent pack need to be applied for higher fire rating on wooden doors.
- **Fire Resistant:** Included in as successful fire test to BS EN Part 1:2000 and BS EN 1363-1 Part 1:1999. Assessed for use on 30 mins., 60 mins. & 90 mins & 3 hours fire doors. Door Opening angle 180°.

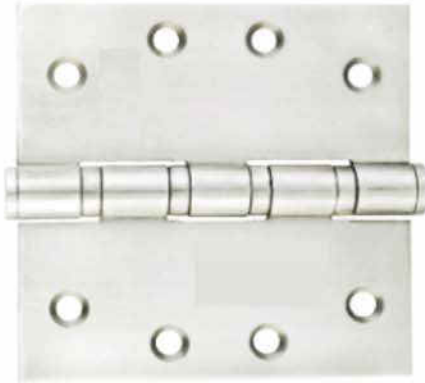


| Data and Features | DDSS002-FR | | | |
|---------------------------------|------------|-----------|---------|-----------|
| | 4.5 x 4 | 4.5 x 4.5 | 4.5 x 4 | 4.5 x 4.5 |
| Size in inch (Height x Width) | 4.5 x 4 | 4.5 x 4.5 | 4.5 x 4 | 4.5 x 4.5 |
| Thickness in mm | 3.4 | 3.4 | 3.4 | 4.6 |
| Standard Doors | • | • | • | • |
| Fire and smoke check doors | • | • | • | • |
| Non-handed | • | • | • | • |
| 5 Knuckles | • | • | • | • |
| Ball Bearing (2BB or 4BB) | • | • | • | • |
| Butt hinge tested to BS EN 1935 | • | • | • | • |
| CE mark for building products | • | • | • | • |
| Butt hinge tested to Certifire | • | • | • | • |
| Optional Pin Type | • | • | • | • |
| Non-removable pin (NRP) | • | • | • | • |
| Removable pin (RP) | • | • | • | • |
| Security Stud (SS) | • | • | • | • |

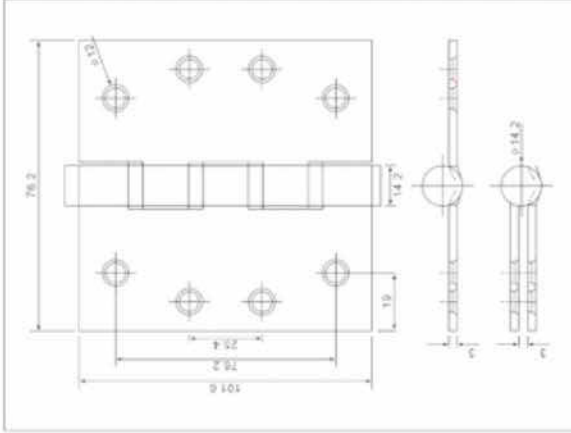
STAINLESS STEEL DOOR HINGE

Full Mortise Hinge (Fire Rated)

Four Ball Bearing



DDSS003-FR



Specification advice:

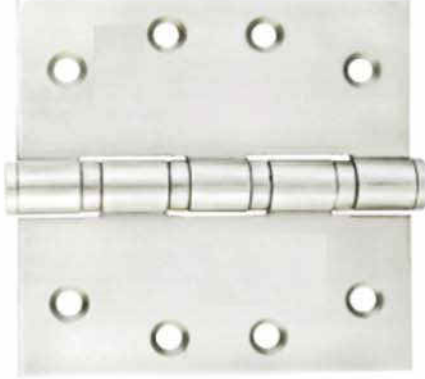
- Four Ball bearing butt hinges, heavy weight, Template drill.
- Exceeds BS EN 1935 grade 13, (Severe Duty, 120 kg Door Mass) equivalent to BS7352: 1990, Class 9.
- Tested in accordance with the new European specification EN 1935 Grade 13
- Manufactured from Stainless Steel Grade 304.
- Packed with stainless steel wood screws.
- Machine screws available on request for metal doors frames (MS).
- Also available in Grade 316 upon special request.

Example

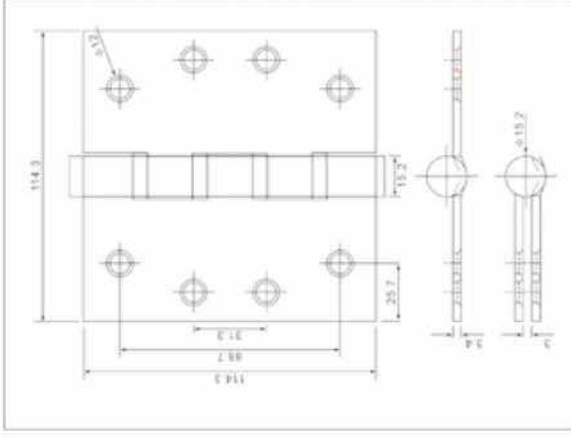


Full Mortise Hinge (Fire Rated)

Four Ball Bearing



DDSS004-FR



Specification advice:

- Four Ball bearing butt hinges, heavy weight, Template drill.
- Exceeds BS EN 1935 grade 13, (Severe Duty, 120 kg Door Mass) equivalent to BS7352: 1990, Class 9.
- Tested in accordance with the new European specification EN 1935 Grade 13
- Manufactured from Stainless Steel Grade 304.
- Packed with stainless steel wood screws.
- Machine screws available on request for metal doors frames (MS).
- Also available in Grade 316 upon special request.

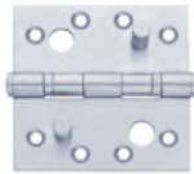
Example



| Data and Features | DDSS003-FR | | | |
|---------------------------------|------------|---------|-------|---------|
| | 4 x 3 | 4 x 3.5 | 4 x 4 | 4.5 x 4 |
| Size in inch (Height x Width) | 3.0 | 3.0 | 3.0 | 3.0 |
| Thickness in mm | • | • | • | • |
| Standard Doors | • | • | • | • |
| Fire and smoke check doors | • | • | • | • |
| Non-handed | • | • | • | • |
| 5 Knuckles | • | • | • | • |
| Ball Bearing (2BB or 4BB) | • | • | • | • |
| Butt hinge tested to BS EN 1935 | • | • | • | • |
| CE mark for building products | • | • | • | • |
| Butt hinge tested to Certifire | • | • | • | • |
| Optional Pin Type | • | • | • | • |
| Non-removable pin (NRP) | • | • | • | • |
| Removable pin (RPP) | • | • | • | • |
| Security Stud (SS) | • | • | • | • |

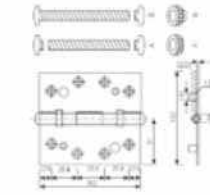
| Data and Features | DDSS004-FR | | | |
|---------------------------------|------------|-----------|---------|-----------|
| | 4.5 x 4 | 4.5 x 4.5 | 4.5 x 4 | 4.5 x 4.5 |
| Size in inch (Height x Width) | 3.4 | 3.4 | 4.6 | 4.6 |
| Thickness in mm | • | • | • | • |
| Standard Doors | • | • | • | • |
| Fire and smoke check doors | • | • | • | • |
| Non-handed | • | • | • | • |
| 5 Knuckles | • | • | • | • |
| Ball Bearing (2BB or 4BB) | • | • | • | • |
| Butt hinge tested to BS EN 1935 | • | • | • | • |
| CE mark for building products | • | • | • | • |
| Butt hinge tested to Certifire | • | • | • | • |
| Optional Pin Type | • | • | • | • |
| Non-removable pin (NRP) | • | • | • | • |
| Removable pin (RPP) | • | • | • | • |
| Security Stud (SS) | • | • | • | • |

Picture



DDSS014

Dimension



Stainless Steel Security Hinge

| Dimension(H x W x T) |
|----------------------|
| 4.0" x 3.0" x 2.5mm |
| 4.0" x 3.0" x 3.0mm |
| 4.0" x 4.0" x 3.0mm |
| 5.0" x 3.5" x 3.0mm |
| 4.0" x 3.5" x 3.0mm |
| 4.5" x 4.5" x 3.4mm |
| 4.5" x 4.0" x 3.4mm |

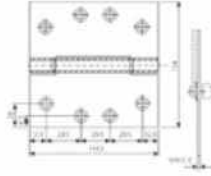
Description

Picture



DDSS033

Dimension



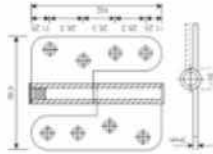
Stainless Steel Single Action Spring Hinge

| Dimension(H x W x T) |
|----------------------|
| 4.0" x 3.0" x 3.0mm |
| 4.0" x 4.0" x 3.0mm |
| 4.5" x 4.0" x 3.0mm |
| 4.5" x 4.5" x 3.4mm |
| 4.5" x 4.0" x 3.4mm |

Description



DDSS021

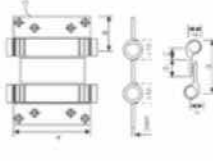


Stainless Steel Lift-off Hinge

| Dimension(H x W x T) |
|----------------------|
| 4.0" x 3.5" x 3.0mm |

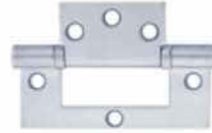


DDSS038

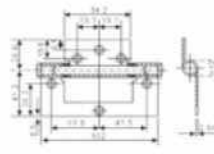


Stainless Steel Double Action Spring Hinge

| A | B | C | D | E | F | G | H |
|---------|------|------|------|----|------|-----|------|
| 102(4") | 40 | 16.5 | 23.5 | 25 | 16.3 | 5.5 | 54.5 |
| 127(6") | 47.5 | 15.5 | 32 | 25 | 17.5 | 5.5 | 84 |
| 153(6") | 51.5 | 16.5 | 35 | 25 | 17.5 | 5.5 | 70.5 |

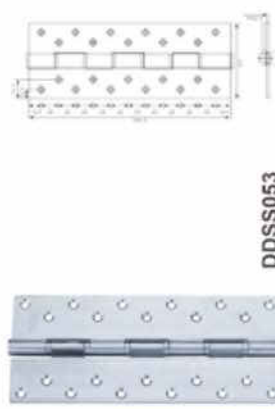


DDSS027

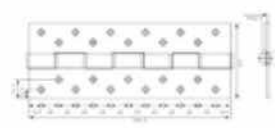


Stainless Steel Flush Hinge

| Dimension(H x W x T) |
|----------------------|
| 102 x 72.5 x 2.5mm |
| 102 x 76 x 3.0mm |
| 100 x 76 x 3.0mm |
| 100 x 75 x 3.0mm |
| 102 x 75 x 3.0mm |

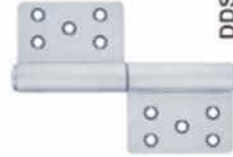


DDSS053

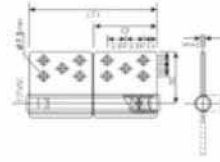


Stainless Steel Heavy Duty Hinge

| Dimension(H x W x T) |
|----------------------|
| 12" x 6" x 10.0mm |
| 12" x 5" x 10.0mm |
| 12" x 5" x 4.7mm |
| 10" x 5" x 10.0mm |
| 10" x 5" x 4.7mm |

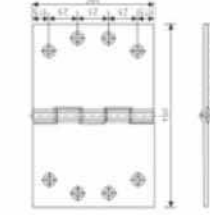


DDSS030

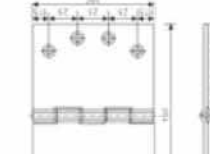


Stainless Steel Flag Hinge

| Dimension(H x W x T) |
|----------------------|
| 5.0" x 4.0" x 3.0mm |
| 4.0" x 3.0" x 2.5mm |
| 100 x 88 x 2.5mm |



DDSS048

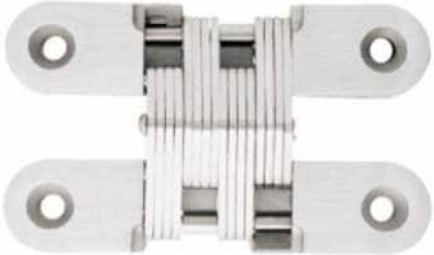


Stainless Steel Security Hinge

| Dimension(H x W x T) |
|----------------------|
| 100 x 100 x 3.4mm |
| 100 x 125 x 3.4mm |
| 100 x 150 x 3.4mm |
| 100 x 180 x 3.4mm |
| 100 x 200 x 3.4mm |
| 100 x 230 x 3.4mm |
| 100 x 250 x 3.4mm |

CONCEALED HINGE

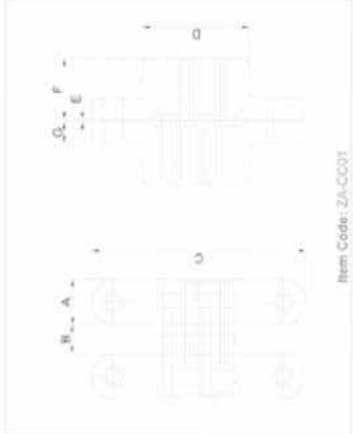
Concealed/Invisible Non-Adjustable Hinge (SS304 / Zinc Alloy)



DDCH007

Specification advice:

- Concealed invisible hinges are designed to give dependable operations for years.
- Standard hinges are made of high strength plated stainless steel and heavy duty zinc alloy casting.
- When closed, the concealed/invisible hinge cannot be seen or tampered with.
- When opened, the riveted hinge pin is non-removable.
- All hinges have been designed to give smooth performance.
- For flush timber or metal doors & frames
- Maximum opening angle 180°.
- For DIN left hand and DIN right hand use
- Packed with fastener or screws.



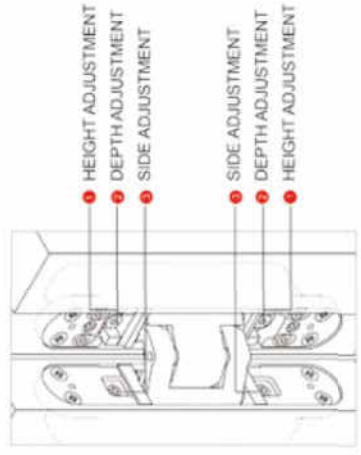
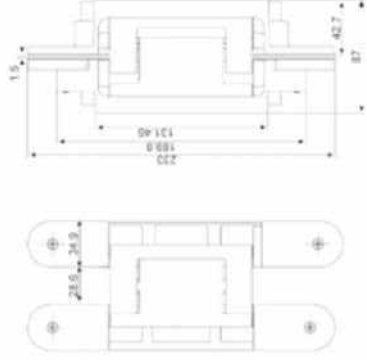
3D Adjustable Invisible Hinge

Applicable area: wood, casing, steel and aluminum frames
Material: all component are made by stainless steel 304

| | |
|---|---|
| Door | Wood door, steel door, profile door, folding door |
| Load capacity | 200kg |
| Standard | Din en 1935:2002 |
| Length | 240mm |
| Min. Door Thickness: | More than 45mm |
| Opening Angle | Up to 180 degree |
| Continuously Adjustable in 3-Dimensions | Side: + /- 3 mm Height : + /- 3 mm Depth : + /- 1mm |
| Handed | Non handed design |
| Material | SUS304 |
| Finish | SS, PS, AB, PVD |
| Quantity for single door | 2pcs |
| | The 3rd hinge will increase 20%/loading Please refer the instruction |

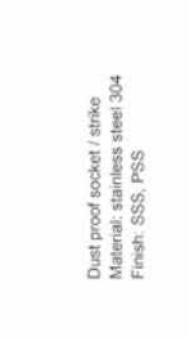
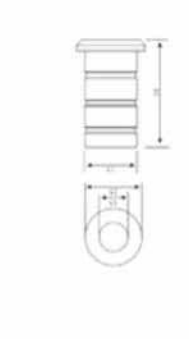



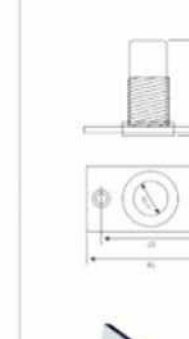






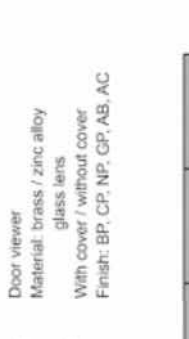



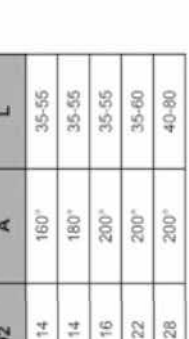
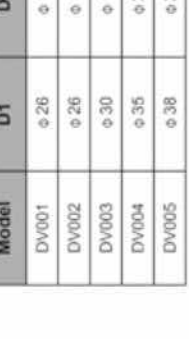








DDCH008



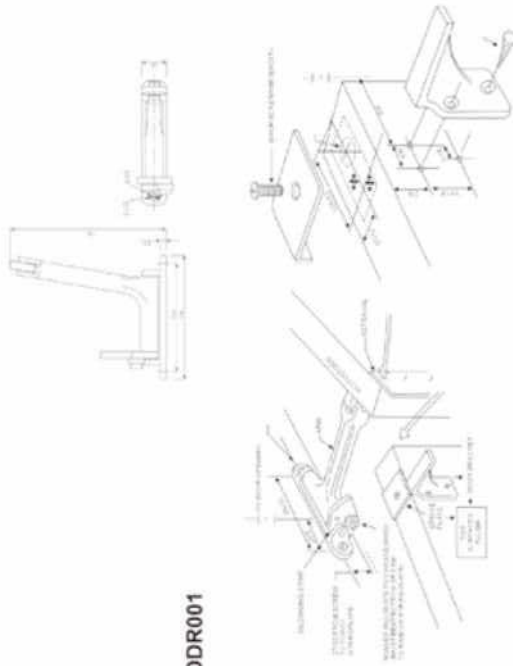
| MODEL | Dimensions (mm) | | | | | | |
|---------|-----------------|-------|--------|-------|------|-------|-------|
| | A | B | C | D | E | F | G |
| ZA-CC01 | 9.53 | 7.14 | 25.40 | 9.53 | 79 | 11.91 | 5.96 |
| ZA-CC02 | 9.53 | 7.04 | 42.86 | 22.53 | 79 | 11.51 | 5.56 |
| ZA-CC03 | 12.70 | 9.13 | 44.45 | 19.05 | 79 | 18.26 | 4.76 |
| ZA-CC04 | 12.70 | 9.13 | 60.33 | 31.75 | 1.59 | 18.26 | 6.35 |
| ZA-CC05 | 15.8 | 11.51 | 69.85 | 34.13 | 1.19 | 23.02 | 7.14 |
| ZA-CC06 | 19.05 | 13.49 | 95.25 | 52.39 | 1.19 | 27.38 | 9.53 |
| ZA-CC07 | 25.40 | 28.26 | 117.48 | 65.86 | 1.59 | 36.51 | 11.91 |
| ZA-CC08 | 28.58 | 22.23 | 117.48 | 61.91 | 1.59 | 40.48 | 10.32 |
| ZA-CC09 | 34.93 | 26.99 | 139.70 | 74.61 | 1.59 | 49.21 | 11.91 |
| SS-CC01 | 19.05 | 13.49 | 95.25 | 52.39 | 1.19 | 27.38 | 9.53 |
| SS-CC02 | 25.40 | 28.26 | 117.48 | 65.86 | 1.59 | 36.51 | 11.91 |
| SS-CC03 | 28.58 | 22.23 | 117.48 | 61.91 | 1.59 | 40.48 | 10.32 |

| Picture | Dimension | Description | Picture | Dimension | Description |
|---------|-----------|---|---------|-----------|--|
| | | SS hemisphere door stopper Floor mounted type Size: 44x25mm, 46x28mm Finish: SS, PSS, PVD, AB | | | Security door guard Material: Stainless steel / Zinc alloy Finish: SS, PSS, PVD, SNP, SCP, AB, AC |
| | | Stainless steel door stopper Floor mounted type Finish: SS, PSS, PVD, SNP, SCP, AB, AC | | | Concealed security door chain Material: Stainless steel / Zinc alloy Finish: SS, PSS, PVD, SNP, SCP, AB, AC |
| | | Stainless steel door stopper Wall mounted type Finish: SS, PSS, PVD, SNP, SCP, AB, AC | | | Security door chain Material: Stainless steel / Zinc alloy Finish: SS, PSS, PVD, SNP, SCP, AB, AC |
| | | Stainless steel / Zinc alloy door stopper Door mounted type Finish: SS, PSS, PVD, SNP, SCP, AB, AC | | | Security door bolt Material: Stainless steel Finish: SS, PSS, PVD, SNP, SCP, AB, AC |

| Picture | Dimension | Description | Picture | Dimension | Description | | | | | | | | | | | | | | | | | | | | | | | | | | | | | | |
|--|---|--|---|---|---|-------|----|----|---|---|---------------|-----|-----|------|-------|---------|-----|-----|------|-------|---------|-----|-----|------|-------|---------|-----|-----|------|-------|---------|-----|-----|------|-------|
|  |  | <p>Stainless steel flush door bolt Finish: SSS, PSS, BP, AB, AC Size: 6", 8", 10", 12", 18", 30" Applicable: metal doors, wooden doors</p> |  |  | <p>Dust proof socket / strike Material: stainless steel 304 Finish: SSS, PSS</p> | | | | | | | | | | | | | | | | | | | | | | | | | | | | | | |
|  |  | <p>Stainless steel flush door bolt Finish: SS, PSS, BP, GP, AB, AC Size: 6", 8", 10", 12", 18", 30" Applicable: metal doors, wooden doors</p> |  |  | <p>Dust proof strike with plate Material: brass Finish: AB, AC, P&L, SCP, SNP</p> | | | | | | | | | | | | | | | | | | | | | | | | | | | | | | |
|  |  | <p>Brass flush door bolt Finish: P&L, S&L, CP, NP, SCP, SNP, GP, AB, AC Size: 6", 8", 10", 12", 18", 30" Applicable: metal doors, wooden doors</p> |  |  | <p>Door viewer Material: brass / zinc alloy glass lens With cover / without cover Finish: BP, CP, NP, GP, AB, AC</p> | | | | | | | | | | | | | | | | | | | | | | | | | | | | | | |
|  |  | <p>Automatic flush door bolt Finish: SS, PSS, PVD, GP, AB, AC Applicable: metal doors, wooden doors</p> |  |  | <p>Model</p> <table border="1"> <thead> <tr> <th>Model</th> <th>D1</th> <th>D2</th> <th>A</th> <th>L</th> </tr> </thead> <tbody> <tr> <td>DV001</td> <td>φ26</td> <td>φ14</td> <td>160°</td> <td>35-55</td> </tr> <tr> <td>DV002</td> <td>φ26</td> <td>φ14</td> <td>180°</td> <td>35-55</td> </tr> <tr> <td>DV003</td> <td>φ30</td> <td>φ16</td> <td>200°</td> <td>35-55</td> </tr> <tr> <td>DV004</td> <td>φ35</td> <td>φ22</td> <td>200°</td> <td>35-60</td> </tr> <tr> <td>DV005</td> <td>φ38</td> <td>φ28</td> <td>200°</td> <td>40-90</td> </tr> </tbody> </table> | Model | D1 | D2 | A | L | DV001 | φ26 | φ14 | 160° | 35-55 | DV002 | φ26 | φ14 | 180° | 35-55 | DV003 | φ30 | φ16 | 200° | 35-55 | DV004 | φ35 | φ22 | 200° | 35-60 | DV005 | φ38 | φ28 | 200° | 40-90 |
| Model | D1 | D2 | A | L | | | | | | | | | | | | | | | | | | | | | | | | | | | | | | | |
| DV001 | φ26 | φ14 | 160° | 35-55 | | | | | | | | | | | | | | | | | | | | | | | | | | | | | | | |
| DV002 | φ26 | φ14 | 180° | 35-55 | | | | | | | | | | | | | | | | | | | | | | | | | | | | | | | |
| DV003 | φ30 | φ16 | 200° | 35-55 | | | | | | | | | | | | | | | | | | | | | | | | | | | | | | | |
| DV004 | φ35 | φ22 | 200° | 35-60 | | | | | | | | | | | | | | | | | | | | | | | | | | | | | | | |
| DV005 | φ38 | φ28 | 200° | 40-90 | | | | | | | | | | | | | | | | | | | | | | | | | | | | | | | |
|  |  | <p>Automatic flush door bolt Finish: SS, PSS, PVD, GP, AB, AC Applicable: metal doors, wooden doors</p> |  |  | <p>Model</p> <table border="1"> <thead> <tr> <th>Model</th> <th>D1</th> <th>D2</th> <th>A</th> <th>L</th> </tr> </thead> <tbody> <tr> <td>DDDP001</td> <td>φ26</td> <td>φ14</td> <td>160°</td> <td>35-55</td> </tr> <tr> <td>DDDP002</td> <td>φ26</td> <td>φ14</td> <td>180°</td> <td>35-55</td> </tr> <tr> <td>DDDP003</td> <td>φ30</td> <td>φ16</td> <td>200°</td> <td>35-55</td> </tr> <tr> <td>DDDP004</td> <td>φ35</td> <td>φ22</td> <td>200°</td> <td>35-60</td> </tr> <tr> <td>DDDP005</td> <td>φ38</td> <td>φ28</td> <td>200°</td> <td>40-90</td> </tr> </tbody> </table> | Model | D1 | D2 | A | L | DDDP001 | φ26 | φ14 | 160° | 35-55 | DDDP002 | φ26 | φ14 | 180° | 35-55 | DDDP003 | φ30 | φ16 | 200° | 35-55 | DDDP004 | φ35 | φ22 | 200° | 35-60 | DDDP005 | φ38 | φ28 | 200° | 40-90 |
| Model | D1 | D2 | A | L | | | | | | | | | | | | | | | | | | | | | | | | | | | | | | | |
| DDDP001 | φ26 | φ14 | 160° | 35-55 | | | | | | | | | | | | | | | | | | | | | | | | | | | | | | | |
| DDDP002 | φ26 | φ14 | 180° | 35-55 | | | | | | | | | | | | | | | | | | | | | | | | | | | | | | | |
| DDDP003 | φ30 | φ16 | 200° | 35-55 | | | | | | | | | | | | | | | | | | | | | | | | | | | | | | | |
| DDDP004 | φ35 | φ22 | 200° | 35-60 | | | | | | | | | | | | | | | | | | | | | | | | | | | | | | | |
| DDDP005 | φ38 | φ28 | 200° | 40-90 | | | | | | | | | | | | | | | | | | | | | | | | | | | | | | | |
|  |  | <p>Automatic flush door bolt Finish: SS, PSS, PVD, GP, AB, AC Applicable: metal doors, wooden doors</p> |  |  | <p>Model</p> <table border="1"> <thead> <tr> <th>Model</th> <th>D1</th> <th>D2</th> <th>A</th> <th>L</th> </tr> </thead> <tbody> <tr> <td>DDDV001 & 002</td> <td>φ26</td> <td>φ14</td> <td>160°</td> <td>35-55</td> </tr> <tr> <td>DDDV002</td> <td>φ26</td> <td>φ14</td> <td>180°</td> <td>35-55</td> </tr> <tr> <td>DDDV003</td> <td>φ30</td> <td>φ16</td> <td>200°</td> <td>35-55</td> </tr> <tr> <td>DDDV004</td> <td>φ35</td> <td>φ22</td> <td>200°</td> <td>35-60</td> </tr> <tr> <td>DDDV005</td> <td>φ38</td> <td>φ28</td> <td>200°</td> <td>40-90</td> </tr> </tbody> </table> | Model | D1 | D2 | A | L | DDDV001 & 002 | φ26 | φ14 | 160° | 35-55 | DDDV002 | φ26 | φ14 | 180° | 35-55 | DDDV003 | φ30 | φ16 | 200° | 35-55 | DDDV004 | φ35 | φ22 | 200° | 35-60 | DDDV005 | φ38 | φ28 | 200° | 40-90 |
| Model | D1 | D2 | A | L | | | | | | | | | | | | | | | | | | | | | | | | | | | | | | | |
| DDDV001 & 002 | φ26 | φ14 | 160° | 35-55 | | | | | | | | | | | | | | | | | | | | | | | | | | | | | | | |
| DDDV002 | φ26 | φ14 | 180° | 35-55 | | | | | | | | | | | | | | | | | | | | | | | | | | | | | | | |
| DDDV003 | φ30 | φ16 | 200° | 35-55 | | | | | | | | | | | | | | | | | | | | | | | | | | | | | | | |
| DDDV004 | φ35 | φ22 | 200° | 35-60 | | | | | | | | | | | | | | | | | | | | | | | | | | | | | | | |
| DDDV005 | φ38 | φ28 | 200° | 40-90 | | | | | | | | | | | | | | | | | | | | | | | | | | | | | | | |



DDDR001



Feature

- Size: 138 x 171mm
- Material: Casting Stainless Steel Grade 304 body and arm, nylon roller
- Finish: Satin stainless steel as standard, other finishes are available.



DDDR002



Feature

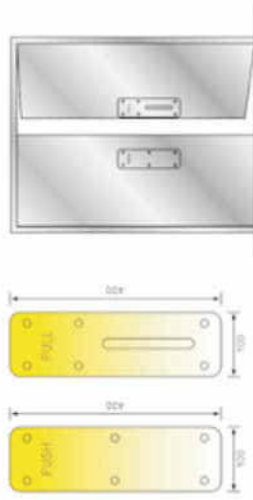
- Gravity, Heavy Duty
- Prevent active door from closing before inactive door closes.
- 6-3/4(171mm)length for pairs of door equipped with outside astragal.

Stainless steel Push plate

Material: Stainless steel Brass
 Finish: SSS 24K
 Installation illustration



DDPH003



DDSP004

Push Indication
 (square type sign plate)
 Size: 100x300x1.5mm
 75x300x1.5mm



DDSP005

Push Indication
 (square type sign plate)
 Size: 100x300x1.5mm
 75x300x1.5mm



DDSP001

Men's washroom
 (square type sign plate)
 Size: 100x100x1.5mm



DDSP002



DDSP010

Fire door sign
 (square type sign plate)
 Size: 150x190x1.5mm



Pull Handle

Pull handle is installed onto glass door or deluxe door, which is suitable for the buildings of commercial business, office, industry or public works.

Installation:

- Two kinds of pull format existing:
1. SH back to back fixing (for glass door or wood door);
 2. SL bolt through fixing (for wood door).

Daily use and maintenance:

Direction for Use:

Open the door by Pushing or Pulling the door pull handle,the door will be open easily,but please do not open the door too violently.

Maintenance:

- Cleaning:**
Clean the handle with dry cloth or with neutral cleanser,instead of any corrosive liquid.
- Checking:**
Timely check the fastened screws,in case of loose screws,please tighten them immediately.

Picture



DDPH001



Glass door pull handle
Material: Stainless steel 304 / 316
Finish: SS, PSS

| D | C | L | H | B |
|-----|------|------|----|-----|
| φ25 | 300 | 400 | 70 | φ19 |
| φ30 | 350 | 500 | 80 | φ25 |
| φ30 | 600 | 1000 | 80 | φ25 |
| φ32 | 1000 | 1200 | 80 | φ25 |
| φ38 | 1500 | 1800 | 80 | φ25 |



DDPH007



"D" pull handle
Material: Stainless steel 304 / 316
Finish: SS, PSS

| D | C | H |
|-----|------|-----|
| φ19 | 200 | 60 |
| φ22 | 300 | 60 |
| φ25 | 450 | 65 |
| φ32 | 600 | 80 |
| φ38 | 800 | 80 |
| φ38 | 1200 | 100 |



DDPH015



Square pull handle
Material: Stainless steel 304 / 316
Finish: SS, PSS

| A | B | C | H |
|----|----|-----|----|
| 25 | 10 | 300 | 50 |
| 25 | 13 | 450 | 50 |
| 25 | 25 | 500 | 60 |
| 30 | 15 | 600 | 60 |
| 32 | 16 | 600 | 60 |
| 40 | 20 | 600 | 70 |
| 40 | 30 | 800 | 80 |



DDPH018



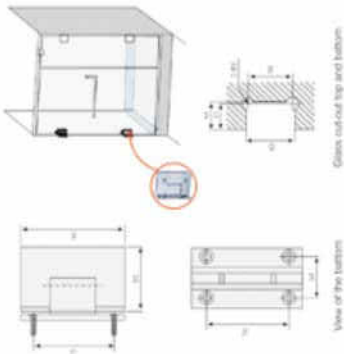
Bathroom pull handle
Material: Stainless steel 304 / 316
Finish: SS, PSS

| D | C1 | C2 | H |
|-----|-----|-----|----|
| φ19 | 200 | 500 | 70 |
| φ22 | 200 | 500 | 70 |
| φ25 | 300 | 600 | 75 |

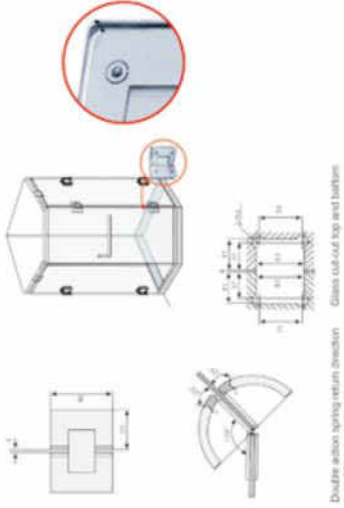
GLASS HINGE



DDGH001



- 90° Shower Hinge, suitable for glass door from 8 to 12mm thick and 800mm wide. The door will be closed automatically when being closed to about 25°.
- Finishes: Chrome plated, Nickel plated, P&L, S&L, Gold Plated, PVD
- Weight of door: 50kg.
- Remark: Hardened Glass.
- Times Fatigue: Above 100,000 times.

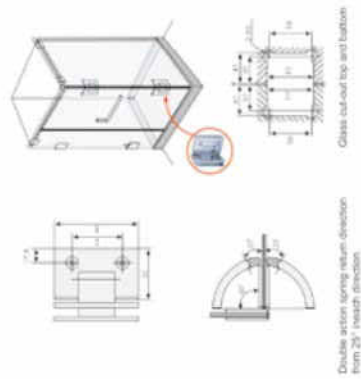


DDGH003

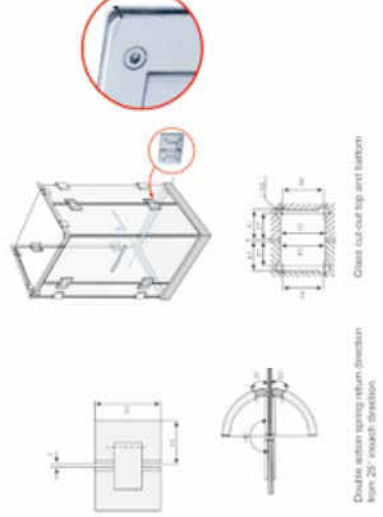
- 135° Shower Hinge, suitable for glass door from 8 to 12mm thick and 800mm wide. The door will be closed automatically when being closed to about 25°.
- Finishes: Chrome plated, Nickel plated, P&L, S&L, Gold Plated, PVD
- Weight of door: 50kg.
- Remark: Hardened Glass.
- Times Fatigue: Above 100,000 times.



DDGH002

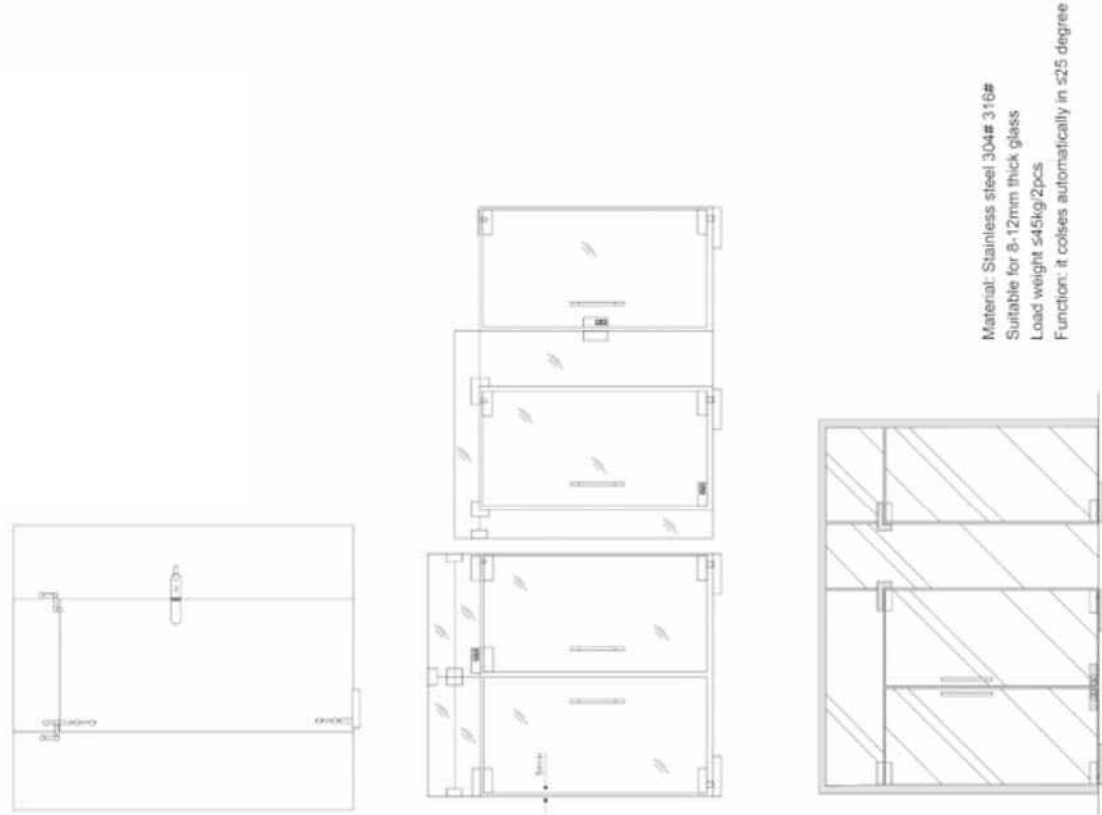


- 90° Shower Hinge, suitable for glass door from 8 to 12mm thick and 800mm wide. The door will be closed automatically when being closed to about 25°.
- Finishes: Chrome plated, Nickel plated, P&L, S&L, Gold Plated, PVD
- Weight of door: 50kg.
- Remark: Hardened Glass.
- Times Fatigue: Above 100,000 times.













DDGH004

- 180° Shower Hinge, suitable for glass door from 8 to 12mm thick and 800mm wide. The door will be closed automatically when being closed to about 25°.
- Finishes: Chrome plated, Nickel plated, P&L, S&L, Gold Plated, PVD
- Weight of door: 50kg.
- Remark: Hardened Glass.
- Times Fatigue: Above 100,000 times.



Material: Stainless steel 304# 316#
 Suitable for 8-12mm thick glass
 Load weight s45kg/2pcs
 Function: it coils automatically in s25 degree

| Picture | Dimension | Description |
|---|---|--|
|  |  | <p>Bottom Patch Fitting Door thickness: 10-12mm Available for: The glass door installed floor spring Features: Bottom clamping head of various specifications are available and can be used in conjunction with springs from DORMA, GEZE, NEWSTAR, BONGO, MAB and etc. Material: Stainless Steel, Aluminium</p> |
|  |  | <p>Over Panel Patch Fitting Door thickness: 10-12mm Available for: The glass door installed floor spring Features: Top clamping head of various specifications are available and can be used in conjunction with springs from DORMA, GEZE, NEWSTAR, BONGO, MAB and etc. Material: Stainless Steel, Aluminium</p> |
|  |  | <p>Top Patch Fitting Door thickness: 10-12mm Available for: The glass door installed floor spring Features: Upper clamping head of various specifications are available and can be used in conjunction with springs from DORMA, GEZE, NEWSTAR, BONGO, MAB and etc. Material: Stainless Steel, Aluminium</p> |
|  |  | <p>Patch Fitting Lock Door thickness: 10-12mm Available for: The glass door installed floor spring Features: Lock clamping head of various specifications are available and can be used in conjunction with springs from DORMA, GEZE, NEWSTAR, BONGO, MAB and etc. Material: Stainless Steel, Aluminium</p> |
|  |  | <p>Corner Patch Fitting Door thickness: 10-12mm Available for: The glass door installed floor spring Features: Corner clamping head of various specifications are available and can be used in conjunction with springs from DORMA, GEZE, NEWSTAR, BONGO, MAB and etc. Material: Stainless Steel, Aluminium</p> |